



REFERENCE

REF: 10119013 EAN: 8421152019283

FEATURES

Stainless steel sink, One bowl and One drainer
Finish: Polished
Inset installation, Reversible drainer
3½" manual basket waste with overflow and siphon
50 cm base unit
Thickness: 0.8 mm
Packaging: Individual carton box

DIMENSIONS

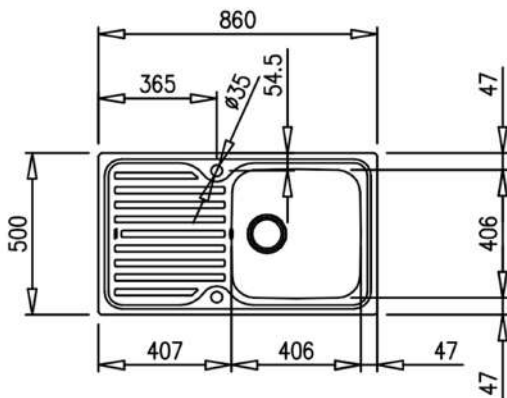
Product height (mm):
Product width (mm): 500
Product depth (mm): 190
Product length (mm): 860
Net weight (Kg): 4,06



Lifetime
warranty



Hygiene



COLOURS